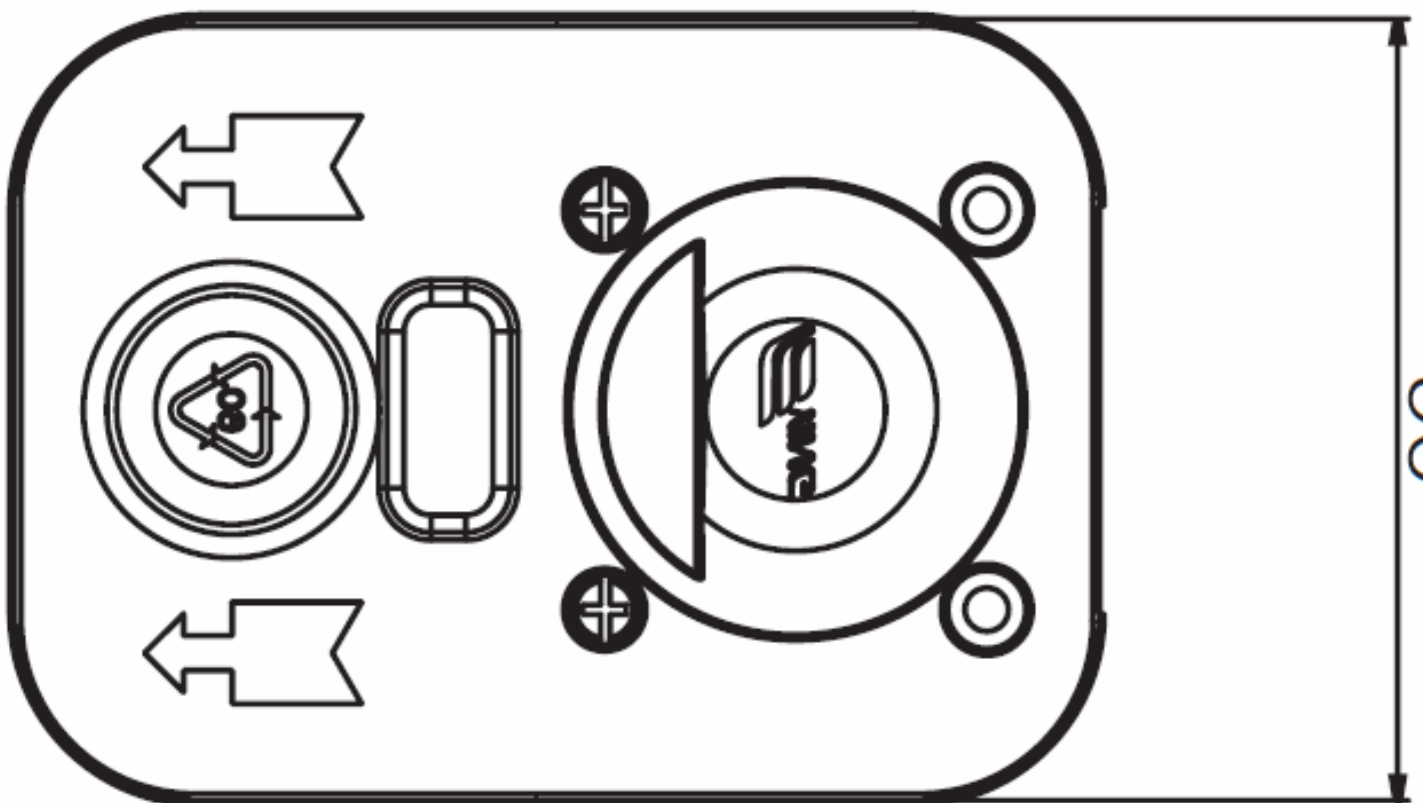
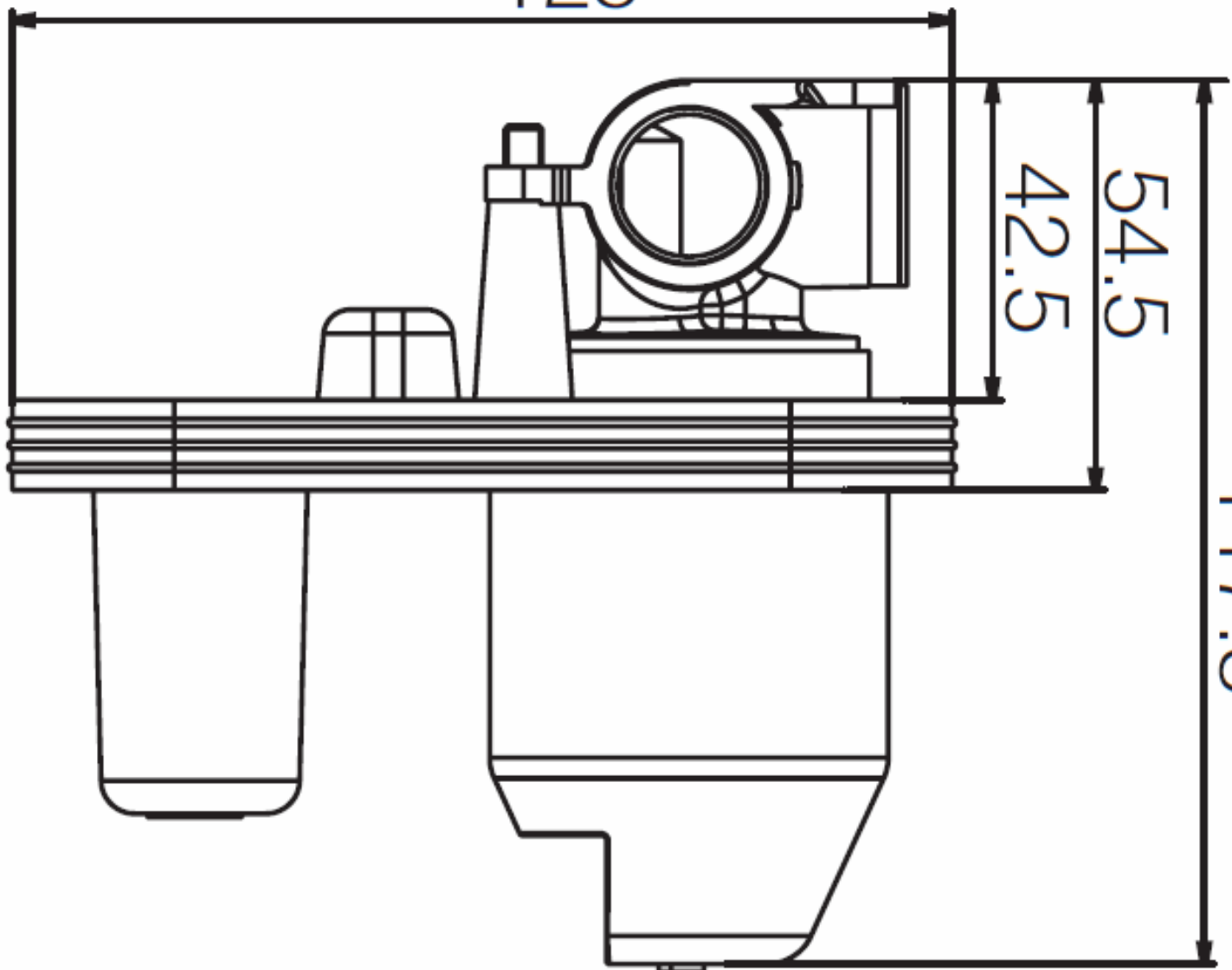


125



117.5

90